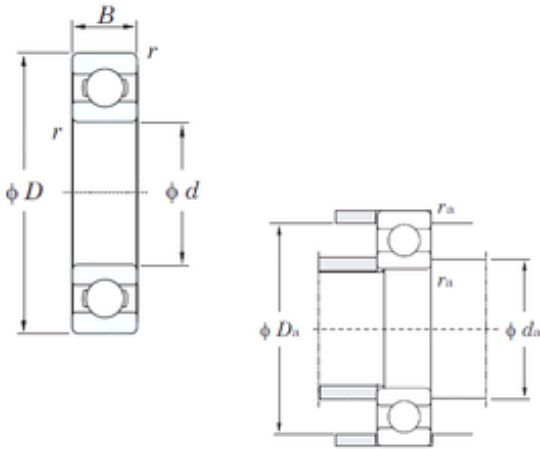




Fums Bearing CO.,LTD

Car Parts Motor Use SKF Koyo Ball Bearing,
Taper Roller Bearing, Pillow Block Bearing 6406

Bearing No. 6406



6406 Bearing 2D drawings and 3D CAD models

Size	30x90x23 mm
Bore Diameter	30 mm
Outer Diameter	90 mm
Width	23 mm
d	30 mm
D	90 mm
B	23 mm
C	23 mm
r min.	1,5 mm
da min.	38 mm
Da max.	82 mm
ra max.	1,5 mm
Weight	0,735 Kg
Basic dynamic load rating (C)	43,4 kN
Basic static load rating (C0)	23,9 kN
(Grease) Lubrication Speed	8100 r/min
(Oil) Lubrication Speed	9700 r/min
Category	Single Row Ball Bearings
Inventory	0.0
Manufacturer Name	KOYO
Minimum Buy Quantity	N/A
Weight / Kilogram	0.795
EAN	0605790369063
Product Group	B00308
Enclosure	Open



Fums Bearing CO.,LTD

Precision Class	ABEC 1 ISO P0
Maximum Capacity / Filling Slot	No
Rolling Element	Ball Bearing
Snap Ring	No
Internal Special Features	No
Cage Material	Steel
Internal Clearance	C0-Medium
Inch - Metric	Metric
Long Description	30MM Bore; 90MM Outside Diameter; 23MM Outer Race Diameter; Open; Ball Bearing; ABEC 1 ISO P0; No Filling Slot; No Snap Ring; No Internal Special Features
Category	Single Row Ball Bearing
UNSPSC	31171504
Harmonized Tariff Code	8482.10.50.68
Noun	Bearing
Keyword String	Ball
Manufacturer URL	http://www.koyousa.com
Manufacturer Item Number	6406
Weight / LBS	1.752
Outside Diameter	3.543 Inch 90 Millimeter
Bore	1.181 Inch 30 Millimeter
Outer Race Width	0.906 Inch 23 Millimeter
Bearing No.	6406
r(min)	1.5
Cr	54.2
C0r	23.9
Cu	2.05
f0	12.3
Grease lub.	8100



Fums Bearing CO.,LTD

Oil lub.	9700
da(min)	38
Da(max)	82
ra(max)	1.5
(Refer.)Mass(kg)	0.735